

Series JUMBO[®] 12 to 604

Submersible dewatering pumps for contractor business

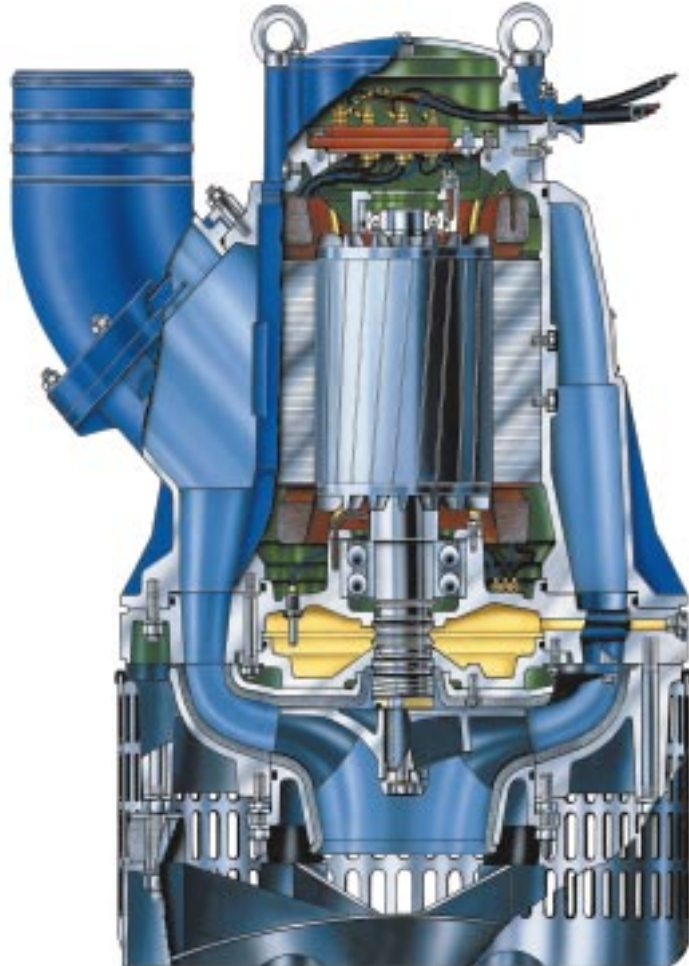
60Hz

- Cost-effective pumping – compact design with high efficiency and low maintenance requirements
- Ease of doing business – portable pumps with minimal accessory requirement
- Available for immediate use
- Environmentally safe – fully encapsulated motor
- Floodproof – wide product range for cost-effective solutions



JUMBO® 5 to 84 - Lightweight pumps with high quality in every detail

- optimal cooling due to outlet position and cooling jacket.
- optional discharge sizes and orientation.
- low weight with major parts in aluminium and cooling jackets in stainless steel.
- flexible performance with a variety semi-open impellers.
- wear resistant impellers in white cast iron and rubber lined wear parts.
- plug in start possible with built in contactor on DOL pumps
- built in motor protection with thermal sensors ensures dry running operation.
- modular system provides many interchangeable parts.
- rigid stainless steel shafts supported on maintenance free ball bearings.
- reliable design with two mechanical seals lubricated in environmental friendly oil. Lower seal has durable silicon carbide.
- easily adjustable wear parts allows compensation for wear and maintains high pump efficiency.

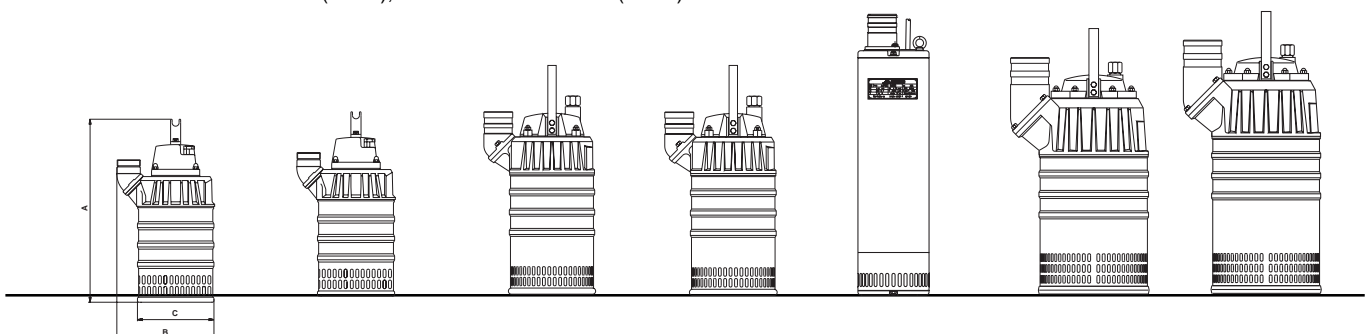





The picture shows JUMBO 54

Dimensions mm (inch)

	JUMBO 12*	JUMBO 15**	JUMBO 24	JUMBO 44	JUMBO 30	JUMBO 54	JUMBO 84
A	473 (18 3/4)	508 (20)	598 (23 3/4)	598 (23 3/4)	728 (29)	686 (27)	736 (29)
B	244 (9 3/4)	244 (9 3/4)	295 (11 3/4)	295 (11 3/4)	-	362 (14 1/4)	362 (14 1/4)
C	202 (7 7/8)	202 (7 7/8)	230 (9 1/8)	230 (9 1/8)	184 (7 1/4)	289 (11 3/8)	289 (11 3/8)

* JUMBO 12W A=528 (20 3/4), **JUMBO 14W A=576 (22 3/4)



Pump type	Motor power*			Speed rpm	Phase	Voltage, current** and (cable type***)				Weight kg (lb)	Discharge connection		
	P ₁ kW	P ₂ kW	BHP			230V A	380V A	460V A	575V A				
JUMBO 12 W _(KS)	1.5	1.1	1.5	3310	1	6,5 (1,6)	(13 A at 115V (1,6))			16 (35)	• 2"	□ 2"	□ 2"
JUMBO 12 D _(KS)	1.5	1.1	1.5	3400	3	4,4 (2,7)	2,7 (2,7)	2,2 (2,7)	1,8 (2,7)	16 (35)	• 2"	□ 2"	□ 2"
JUMBO 14 W	1.8	1.4	1.8	3310	1	8,3 (1,6)	(16,7 A at 115V (1,6))			20 (88)	• 2"	□ 2"	□ 2"
JUMBO 15 D _(KS)	1.9	1.5	2.0	3400	3	5,4 (2,7)	3,3 (2,7)	2,7 (2,7)	2,2 (2,7)	16,5 (36)	• 2"	□ 2"	□ 2"
JUMBO 24 W	2.6	2.0	2.6	3310	1	13,4 (1,6)				27 (60)	• 3"	□ 3"	□ 3"
JUMBO 24 ND	3.6	2.8	3.8	3400	3	10,4 (3,7)	6,3 (3,7)	5,2(3,7)	4,2 (3,7)	27 (60)	• 3"	□ 3"	□ 3"
JUMBO 24 HD	3.6	2.8	3.8	3400	3	10,4 (3,7)	6,3 (3,7)	5,2(3,7)	4,2 (3,7)	27 (60)	• 3"	□ 3"	□ 3"
JUMBO 30 MD	5.4	4.3	6	3400	3	16 (3,8)	9,7 (3,8)	8 (3,8)	6,4 (3,8)	31 (68)	• 3"	□ 3"	□ 3"
JUMBO 30 HD	5.4	4.3	6	3400	3	16 (3,8)	9,7 (3,8)	8 (3,8)	6,4 (3,8)	31 (68)	• 2"	□ 2"	□ 2"
JUMBO 44 ND	5.2	4.8	6	3400	3	14,4 (3,8)	7,5 (3,8)	7,2 (3,8)	5,8 (3,8)	36 (79)	• 3"	□ 3"	□ 3"
JUMBO 44 HD	5.2	4.8	6	3400	3	14,4 (3,8)	7,5 (3,8)	7,2 (3,8)	5,8 (3,8)	36 (79)	• 4"	□ 4"	□ 4"
JUMBO 54 ND	7.8	3.8	9	3400	3	22 (4,9)	13,3 (3,8)	11,0(3,8)	8,8 (3,8)	50 (110)	• 3"	□ 3"	□ 3"
JUMBO 54 HD	7.8	6,0	9	3400	3	22 (4,9)	13,3 (3,8)	11,0(3,8)	8,8 (3,8)	50 (110)	• 4"	□ 4"	□ 4"
JUMBO 84 ND	12.5	9,0	15	3400	3	34 (5,10)	20 (4,8)	17 (4,8)	13,5 (4,8)	70 (154)	• 4"	□ 4"	□ 4"
JUMBO 84 HD	12.5	6,0	15	3400	3	34 (5,10)	20 (4,8)	17 (4,8)	13,5 (4,8)	70 (154)	• 3"	□ 3"	□ 3"
JUMBO 84 LD	12.5	9,0	15	3400	3	34 (5,10)	20 (4,8)	17 (4,8)	13,5 (4,8)	70 (154)	• 6"	□ 6"	□ 6"

*P₁ = Power taken from mains
P₂ = Power at motor shaft
BHP = Power at motor shaft

**Overload relay setting for star delta
divide rated current by 1.73.

*** Cable Type: (1) H07RN-F3x2,5mm² (6) AWG 14-3
(2) H07RN-F4x1,5mm² (7) AWG 14-4
(3) H07RN-F4x2,5mm² (8) AWG 12-4
(4) H07RN-F4x4mm² (9) AWG 10-4
(5) H07RN-F4x6mm² (10) AWG 8-4



Standard pump supplied with:

- 20m (65ft) power cable
- Rubber lined wear parts
- Pump connected for DOL start
- Discharge outlet, hose

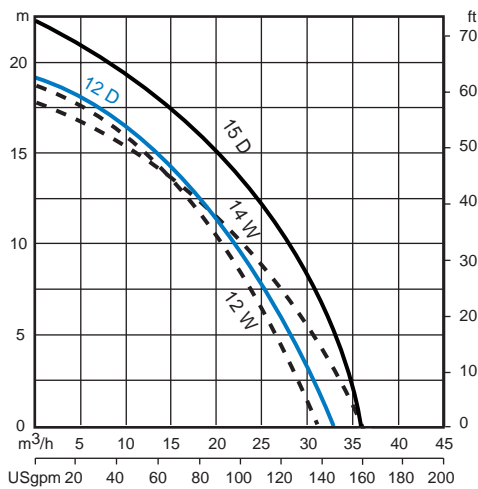
Options:

- KS version with built in float switch on JUMBO 12 & 15
- Storz couplings and various sizes of outlets
- JUMBO 54-84 connected for Star/Delta start with cable 10x2,5mm²

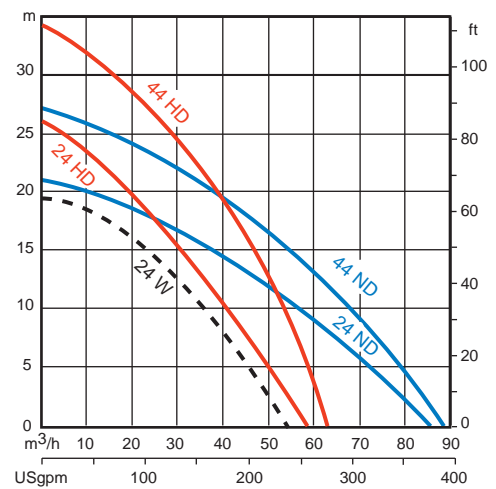
- = Standard
- = Available as an option



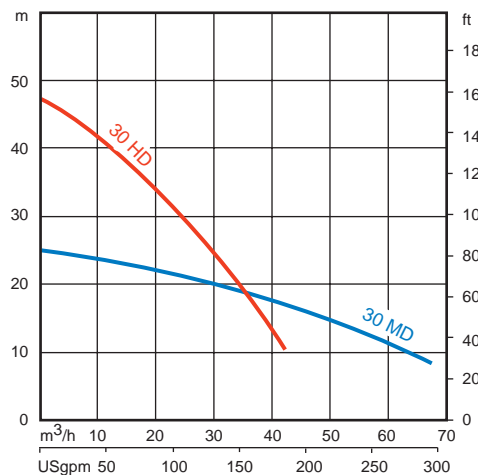
JUMBO 12 to 15



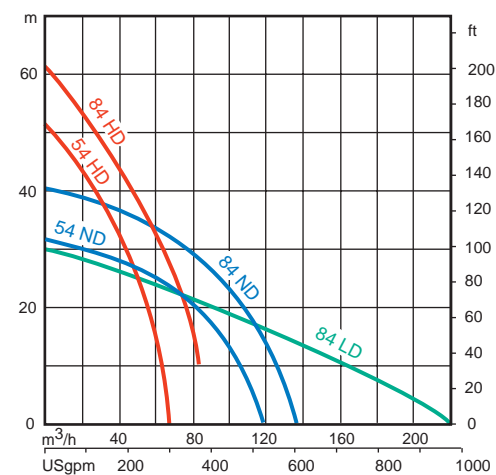
JUMBO 24 to 44



JUMBO 30

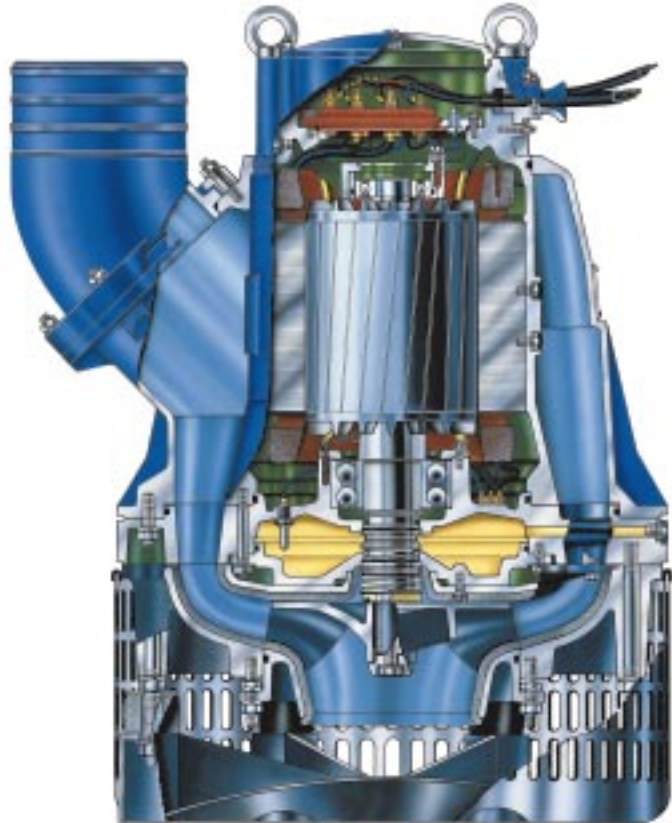


JUMBO 54 to 84

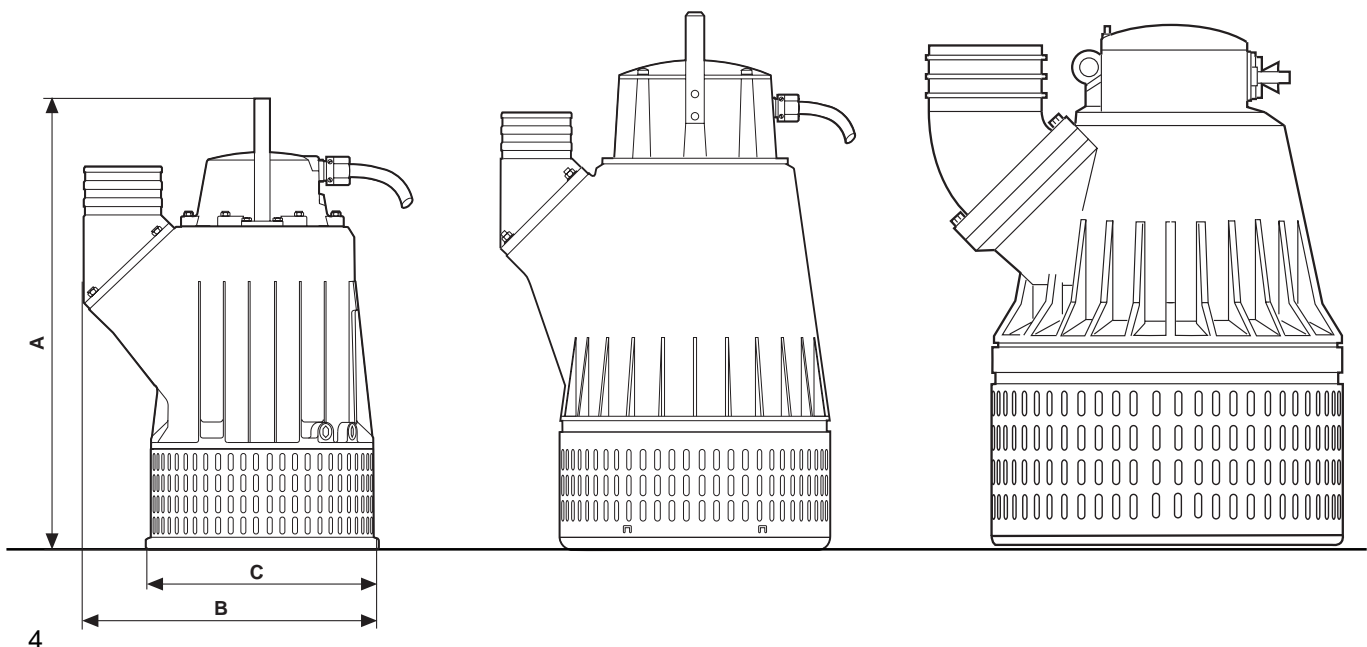


JUMBO® 205 to 604 - Powerful pumps with high quality in every detail

- optimal cooling due to outlet position and cooling jacket.
- optional discharge sizes and orientation.
- low weight with major parts in aluminium and strainers in stainless steel.
- flexible performance with a variety semi-open impellers.
- wear resistant hardened impellers and rubber lined wear parts.
- motor protection with thermal sensors in motor and DI-system with seal probe in oil casing
- modular system provides many interchangeable parts.
- rigid stainless steel shafts supported on maintenance free ball bearings.
- reliable design with two mechanical seals lubricated in environmental friendly oil. Lower seal has durable silicon carbide.
- easily adjustable wear parts allows compensation for wear and maintains high pump efficiency.



The picture shows JUMBO 604



Pump type	Motor power*			Speed rpm	Phase	Voltage, current** and (cable type***)				Weight kg (lb)	Discharge		
	P ₁ kW	P ₂ kW	BHP			230V A	380V A	460V A	575V A				
JUMBO 205ND	24	21	28	3400	3	73 _{(2)/(6)+(8)}	44 _{(1)/(6)+(8)}	37 _{(1)/(6)+(8)}	30 _{(1)/(6)+(8)}	162(353)	• 6"	□ 6"	□ 6"
JUMBO 205HD	24	21	28	3400	3	73 _{(2)/(6)+(8)}	44 _{(1)/(6)+(8)}	37 _{(1)/(6)+(8)}	30 _{(1)/(6)+(8)}	162(353)	• 4"	□ 4"	□ 4"
JUMBO 405ND	46	41	55	3450	3	132 ₍₄₎₊₍₉₎	80 _{(2)/(6)+(9)}	66 _{(2)/(6)+(9)}	53 _{(2)/(6)+(9)}	260(574)	• 6"	□ 6"	□ 6"
JUMBO 405HD	46	41	55	3450	3	132 ₍₄₎₊₍₉₎	80 _{(2)/(6)+(9)}	66 _{(2)/(6)+(9)}	53 _{(2)/(6)+(9)}	260(574)	• 4"	□ 4"	□ 4"
JUMBO 604ND	76	70	95	1732	3	226 ₍₅₎₊₍₁₀₎	137 _{(3)/(7)+(10)}	113 _{(3)/(7)+(10)}	91 _{(3)/(7)+(10)}	525(1157)	• 10"	□ 10"	□ 10"
JUMBO 604HD	76	70	95	1732	3	226 ₍₅₎₊₍₁₀₎	137 _{(3)/(7)+(10)}	113 _{(3)/(7)+(10)}	91 _{(3)/(7)+(10)}	525(1157)	• 6"	□ 6"	□ 6"

*P₁ = Power taken from mains
 P₂ = Power at motor shaft
 BHP = Power at motor shaft

** Overload relay setting for star delta, divide rated current by 1.73

***Cable Type: (1) 2xH07RN-F4x6 mm²
 (2) 2xH07RN-F4x10 mm²
 (3) 2xH07RN-F4x16 mm²
 (4) 2xH07RN-F4x25 mm²
 (5) 2xH07RN-F4x35 mm²
 (6) 1xH07RN-F4x25 mm²
 (7) 1xH07RN-F4x35 mm²
 (8) 1xH07RN-F2X1,5 mm²
 (9) 1xH07RN-F4X1,5 mm²
 (10) 1xH07RN-F7X1,5 mm²



Standard pump supplied with:

- 20m (65ft) power/control cable
- Rubber lined wear parts
- Pump connected for DOL/YD start
- Terminal block in pump head
- Discharge outlet, hose

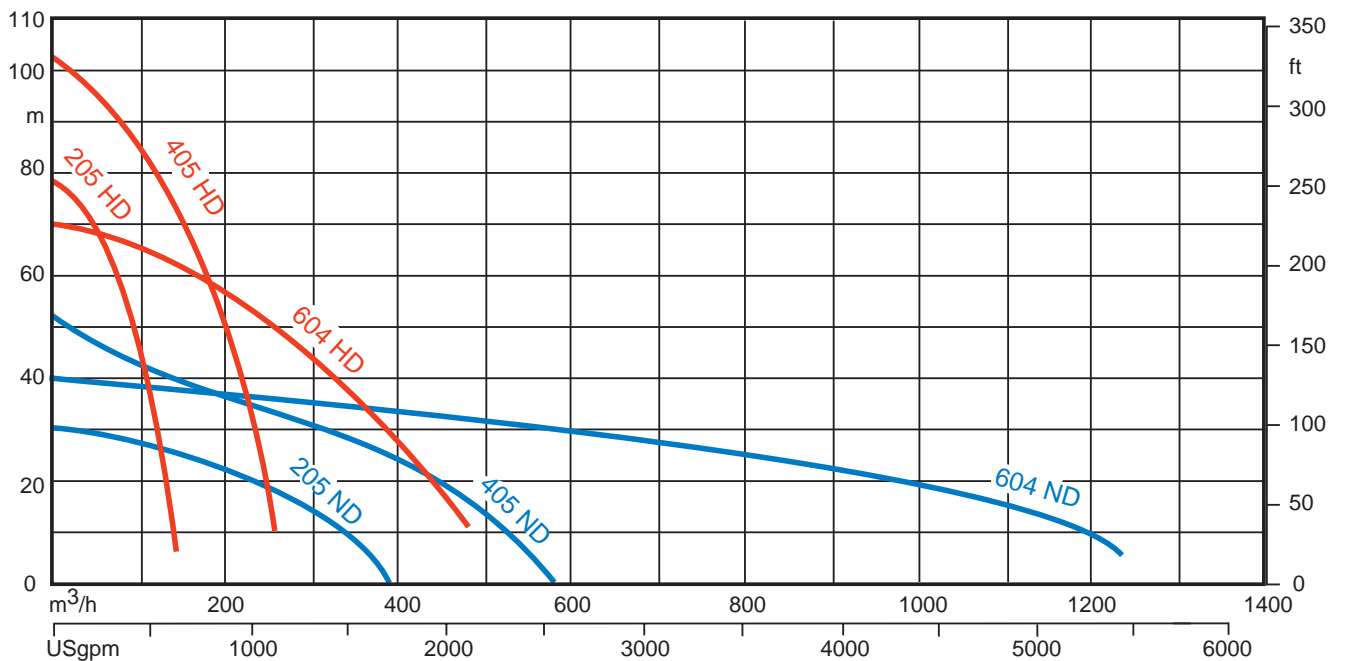
Options:

- Starter boxes
- JUMBO 205 with built in motor protection
- Pump equipped with one power cable
- Storz couplings and various sizes of outlets
- AWG cables for all pump models

• = Standard
 □ = Available as an option

JUMBO 205 to 604



Dimensions mm (inch)

	JUMBO 205	JUMBO 405HD	JUMBO 405ND	JUMBO 604
A	970 (38 1/4)	1070 (42 3/4)	1150 (45 1/2)	1130 (44 1/2)
B	572 (22 1/2)	705 (27 3/4)	705 (27 3/4)	960 (37 3/4)
C	451 (17 3/4)	535 (21 1/8)	535 (21 1/8)	775 (30 1/2)

Series connection



JUMBO 12-604 can be installed in tandem at appropriate intervals and connected by hose and couplings to effectively double or triple the head at given flow. Consult ABS for sizing and assembly.

KS - automatic level control

JUMBO 12 and 15 (115V - 460V) can be installed with a built in float switch when automatic start and stop is required. A typical installation for automatic level control is in narrow sumps where the level of the sump is changing quickly.



Zinc anodes

ABS offers zinc anodes for pumps operating in a wide variety of corrosive media including saline or brackish water and industrial effluent. The zinc anodes are specially designed to fit the aluminium parts of the pump (main cover or cooling jacket and bottom plate). This system ensures the protection against galvanic corrosion.



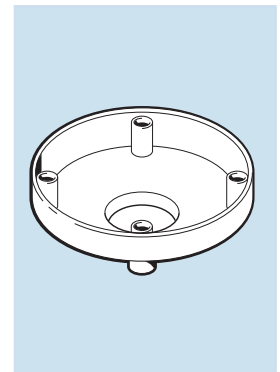
Low level pumping

JUMBO 12 to 24 can be installed with a bottom suction adapter for low level pumping. The pump is easily equipped for low level pumping by replacing the standard bottom plate with the same adapter as shown on the picture.



Polyurethane wear parts

ABS offers PURE-lining on JUMBO pumps. Diffuser on JUMBO 24-44 and wearing on JUMBO 205 are available in polyurethane for applications where the pumps are installed in extremely tough wear conditions or aggressive medias.



Surface coating

ABS offers surface coating for pumps operating in a wide variety of corrosive media including saline or brackish water and industrial effluent. The 3-layer surface coating is protecting the aluminium parts of the pump internally and externally. This surface coating system is environmental safe and comparable with epoxy.



Electronic motor surveillance

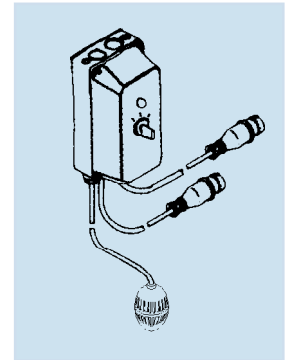
JUMBO14 to 84 can be equipped with a built in electronic motor surveillance system (FSV82) on 3-phase D.O.L started pumps. The relay is equipped to

- prevent automatic restart after cut out
- stop the pump if phase failure occurs
- prevent pumps to start with wrong rotation.



Starter boxes with level control

ABS offers portable JUMBO panels (JP) with level control for 1-phase and 3-phase D.O.L started pumps JUMBO 12 to 84. Starter box with Hand-off-Auto switch and a floatswitch with 20 meter cable is standard. Overload relay is available as option. The starter box is installed between the pump and the power supply.

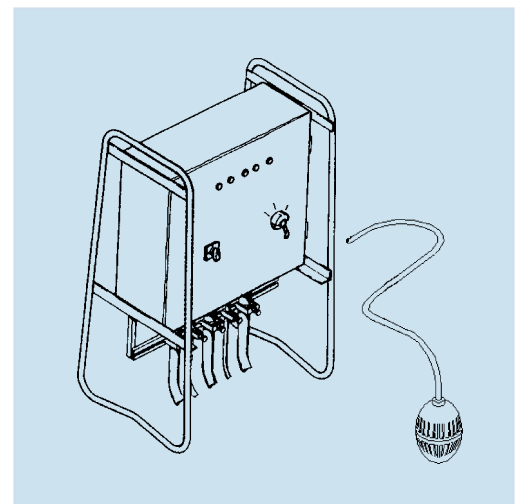


Starter boxes for D.O.L or Star-Delta connected pumps

ABS offers portable JUMBO panels (JP) for 3-phase D.O.L started pumps JUMBO 54 to 205 and 3-phase Star-Delta started pumps JUMBO 54 to 604.

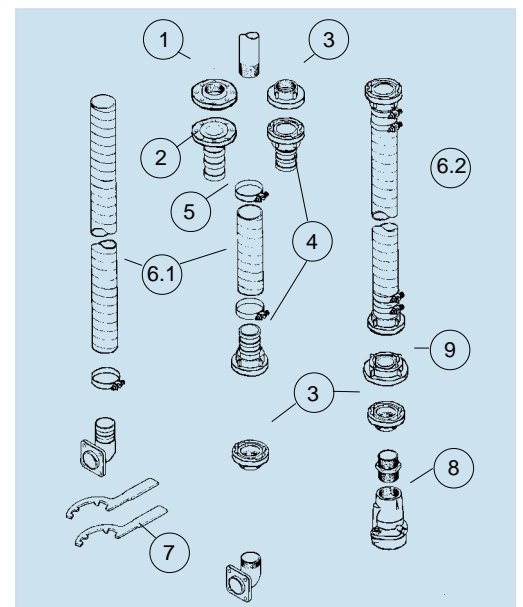
Starter box with Hand-0-Auto switch and overload relay with indication lamp is standard. DI-seal monitoring system with indication lamp is standard on JUMBO 405 and 604.

Available as option is level control by connecting KS-floatswitch with 20 meter cable. The starter box is installed between the pump and the power supply.



Accessories

	Description (material)	Size
1	DIN-Threaded Flange	DN 100/G 4"
2	DIN-Hose Flange	DN 100/4"
3	DIN-Fixed coupling (Aluminium) with internal thread	Storz C/2" B/21/2" B/3" A/4" F/6"
4	DIN-Fixed coupling (Aluminium) with hose nozzle	Storz C/2" B/3" A/4" F/6"
5	Hose Clamp (Stainless steel)	2" 3" 4" 6" 8"
6.1	Discharge Hose without built-in couplings (Reinforced plastic hose)	2" 3" 4" 6" 8"
6.2	Discharge Hose with built-in couplings (Reinforced plastic hose)	2" 3" 4" 6"
7	Coupling spanners (2 off are needed)	A-B-C F
8	Non-return Valve with internal thread (Synthetic)	G2"
9	Reducer Coupling (Aluminium)	A to B / B to C / F to A





ABS reserves the right to alter specifications due to technical developments

ABS
COST-EFFECTIVE PUMPING

Austria
Tel. +43 2236 642 61
Fax +43 2236 642 66

Belgium
Tel. +32 2 725 79 00
Fax +32 2 725 71 19

Brazil
Tel. +55 41 348 1991
Fax +55 41 348 1879

Canada
Tel. +1 905 670 4677
Fax +1 905 670 3709

Denmark
Tel. +45 48 17 11 10
Fax +45 48 17 19 11

Estonia
Tel. +372 656 3398
Fax +372 656 3385

Finland
Tel. +358 9 506 88 90
Fax +358 9 55 80 53

France
Tel. +33 1 49 35 24 50
Fax +33 1 48 54 42 82

Germany
Tel. +49 2246 13 0
Fax +49 2246 13 200
Tel. +49 62 57 9317 0
Fax +49 62 57 9317 99

Great Britain
Tel. +44 1293 82 19 75
Fax +44 1293 82 19 76

Greece
Tel. +30 1 95 325 01/02/03
Fax +30 1 95 325 04

Hungary
Tel. +36 1 231 60 70
Fax +36 1 231 60 80

Ireland
Tel. +353 53 63 200
Fax +353 53 42 335

Italy
Tel. +39 051 89 00 911
Fax +39 051 86 18 48

Netherlands
Tel. +31 43 352 50 50
Fax +31 43 363 33 95

Norway
Tel. +47 67 554 700
Fax +47 67 554 750

Poland
Tel. +48 22 633 82 87
Fax +48 22 633 86 44

Singapore
Tel. +65 4633 933
Fax +65 4622 122

South Africa
Tel. +27 11 397 1612
Fax +27 11 397 1795

Spain
Tel. +34 91 670 28 51
Fax +34 91 666 58 68

Sweden
Tel. +46 31 706 16 00
Fax +46 31 27 29 20

Switzerland
Tel. +41 71 694 6555
Fax +41 71 694 6556

Turkey
Tel. +90 216 455 2256
Fax +90 216 455 2265

USA
Tel. +1 203 238 2700
Fax +1 203 238 0738

All other countries
ABS Pumps International
Head Office, Sweden
Tel. +46 31 83 63 00
Fax +46 31 16 79 14

Agents and distributors
ABS has sales and service
representation in more than
100 countries the world over.

www.abspumps.com

ABS is a company in the
Cardo Group