

SLUDGE PRO®
DOUBLE DISC PUMPS
4DDWP-SS™

BENEFITS

TRANSFER FROM
0-250 GPM

PUMP UP TO 2½" SOLIDS

MAX. HEAD TO 184'
(80 PSI)

NO REGULAR
MAINTENANCE
REQUIRED

TWO YEAR LIMITED
WARRANTY*

IDEAL FOR ABRASIVE,
VISCOUS AND SHEAR
SENSITIVE MEDIA

RUNS DRY = NO DAMAGE

SELF PRIMING PUMP

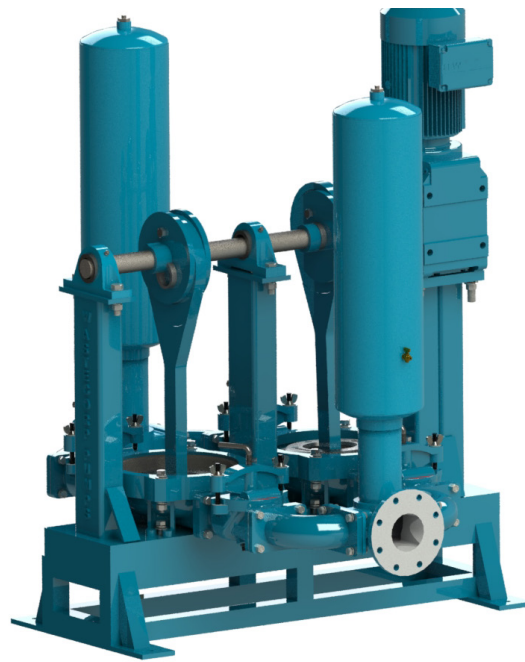
HIGHER OPERATING
PRESSURE

NEXT GENERATION DISC
PUMP TECHNOLOGY

*Contact factory for warranty details.

WASTECORP.COM

CLACK VALVE
SOLIDS MANAGEMENT TECHNOLOGY



Patent Pending

ADVANCED CLACK VALVE DISC PUMPS.

Sludge Pro® clack valve 4DDWP disc pumps use innovative smart technology to elevate double disc pumps to a new level. Wastecorp clacks withstand the rigors of daily pumping at municipal WWTP's, food processing facilities and other industrial sludge pumping applications. Plus, Sludge Pro Pumps are operator and maintenance friendly. No regular maintenance required.

SLUDGE PRO® 4DDWP - DOUBLE DISC PUMPS



Advanced Smart Clack Solids Management Technology

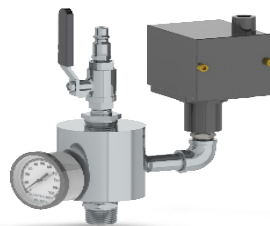
- Unobstructed flow path allows sludge and solids to efficiently transfer through the pump
- Self-valving clack flexes open to pass solids up to 2 ½"
- Advanced non-slamming properties reduces pulsation and increases efficiency



Innovative Trunnion Options

Not all pumping applications are alike, that's why Wastecorp offers you the right elastomer for your application including:

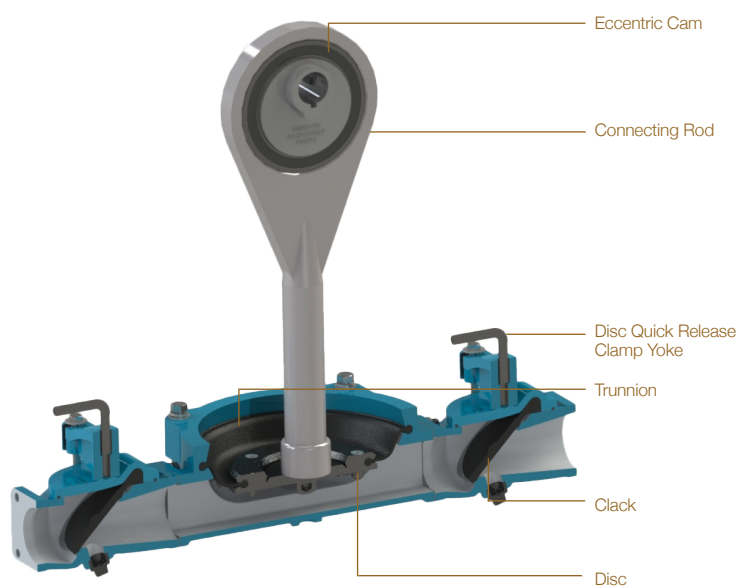
- Santoprene®
- Teflon®
- Buna-N®
- Nordel®
- Viton®
- Neoprene



Pressure Sensor Assembly

Provides safe protection against dead heading, closed valves or other discharge blockages that can damage the pump. Also permits direct charging of pulsation dampener and access for cleaning.

CUT AWAY



TECHNICAL SPECIFICATIONS

| | |
|----------------------------|--------------------------|
| Model | Sludge Pro® 4DDWP |
| Connection Size | 4" 150# Flanged |
| Typical Flow Range | 0-250 GPM |
| Solids Handling | Max 2½" |
| Displacement | 2.28 gal/rev |
| Max. Suction Lift | 25' |
| Max. Discharge Head | 184' (80 psi) (5.1 bar) |
| Max. Liquid Temp. | 350°F (176°C) |
| Operating Speed | up to 110 RPM |

MATERIALS OF CONSTRUCTION

| | Standard | Optional |
|-----------------------------------|--|--|
| Trunnion | Neoprene (TPE) 0°F to 200°F | Santoprene -40°F to +225°F Buna-N® +10°F to +180°F Viton® -40°F to +350°F Teflon® (PTFE) +40°F to +220°F Nordel® -60°F to +280°F |
| Discs | Ductile Iron, ASTM A 536, Grade 65-45-12 | |
| Clack Valve | Neoprene | Viton, EPDM |
| Sectionalized Construction | Cast Iron ASTM A48 Class 30 | See Coating Options Below |
| Pedestal | Ductile iron ASTM A 536, Grade 65-45-12 | |
| Eccentric Cam | Ductile iron ASTM A 536, Grade 65-45-12 | |
| Drive Shaft | 400 Series SS | |
| Connecting Rod | Ductile iron ASTM A 536, Grade 65-45-12 | |
| Base Frame | Heavy Duty Fabricated Steel | 304SS, Galvanized Steel, 316 SS |

DRIVE SYSTEM OPTIONS

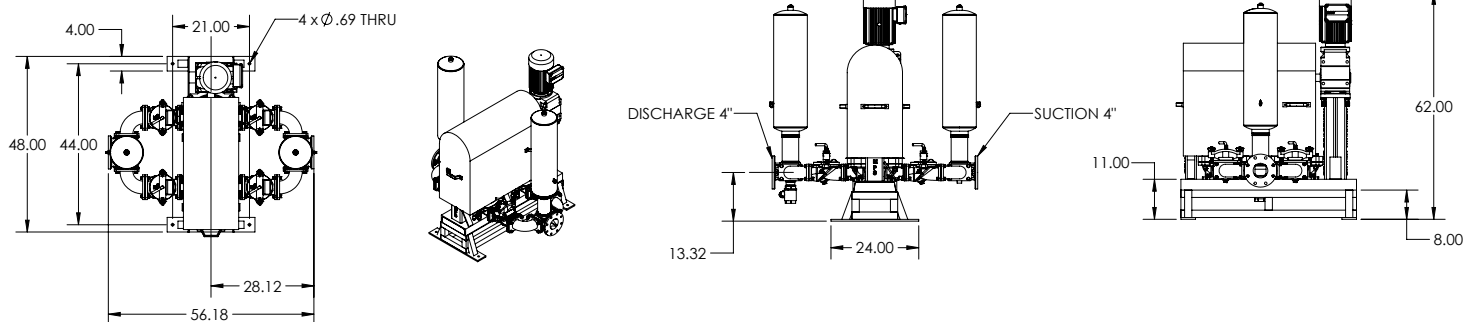
| | |
|----------------------|-----------------------------|
| Direct Dive | Electric Motor |
| Optional | Air, hydraulic, belt driven |
| Engine Driven | Gas or diesel |

Note: Consult factory for applications exceeding maximum pressure and/or temperature indicated.

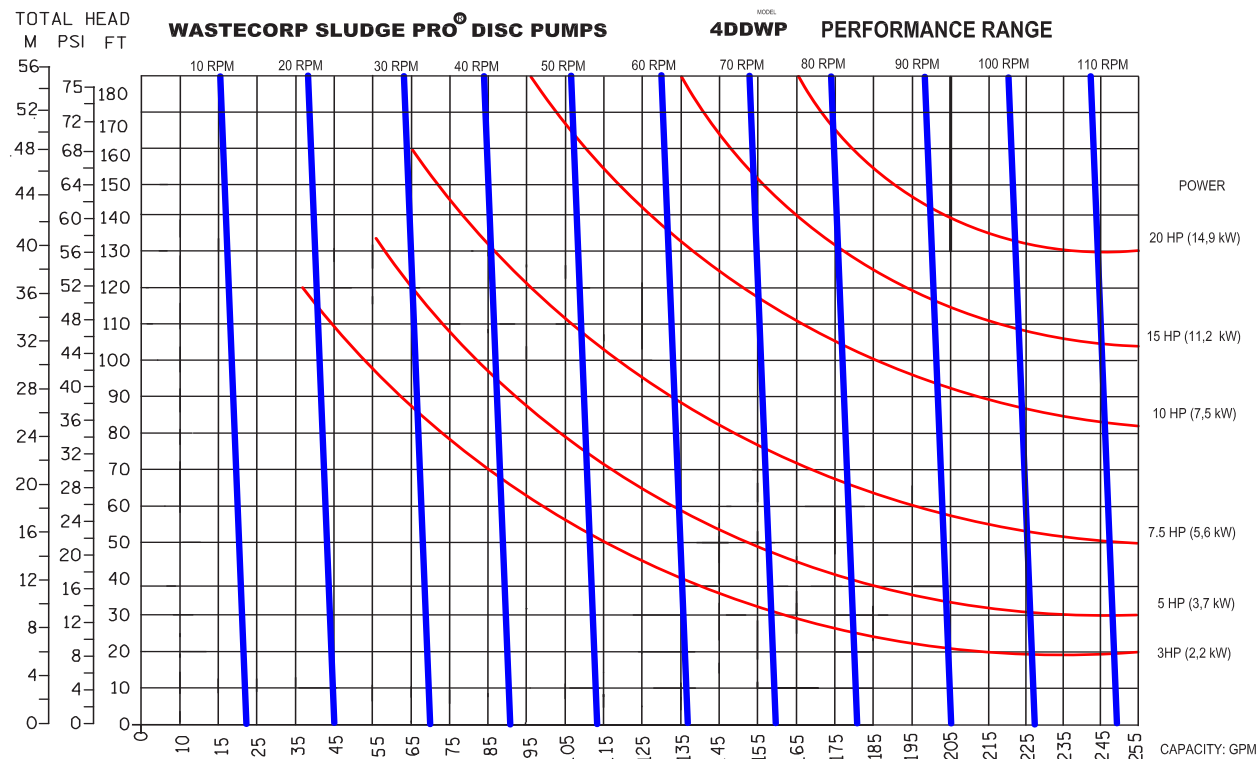
WETTED CASTING COATING OPTIONS

Xylan, ETFE / PTFE, Dura-S, Nitrile, Neoprene, Nordel, Viton, Hypalon

DIMENSIONAL DRAWING



PUMP CURVE



SUCTION LIFTS

Dry Prime Static Suction Lift: 25' (7.62m)
Wet Prime: 25" Hg 28.4' (8.6m)

CURVE NO.: 63911-00 MODEL: 4DDWP

SIZE: 4" x 4" RPM: VARIOUS

SP. GR.: 1.0 @ 68°F

Displacement Per Stroke: 2.28 Gal/Revolution

Sludge Pro® and Wastecorp® are registered trademarks of Wastecorp (WPC). Specifications and capacities are subject to review without notice. Wastecorp is not liable for any incompleteness or inaccuracies. Wastecorp is not liable for any consequential, incidental or indirect damages resulting to these specifications or their use.

Curve based on water (specific gravity = 1.0), with 10 foot static lift. The performance curve shown were taken from actual tests of standard production pumps, and reflect an average performance of the pump indicated.

REV. DS 4/2015