

SLUDGE PRO®
DISC PUMPS
4SDWP™

BENEFITS

TRANSFER FROM
0-127 GPM

MAX. HEAD TO 184'
(80 PSI)

NO REGULAR
MAINTENANCE
REQUIRED

TWO YEAR LIMITED
WARRANTY*

IDEAL FOR ABRASIVE,
VISCOUS AND SHEAR
SENSITIVE MEDIA

RUNS DRY = NO DAMAGE

SELF PRIMING PUMP

HIGHER OPERATING
PRESSURE

NEXT GENERATION DISC
PUMP TECHNOLOGY

*Contact factory for warranty details.

WASTECORP.COM

BALL VALVE
SOLIDS MANAGEMENT TECHNOLOGY

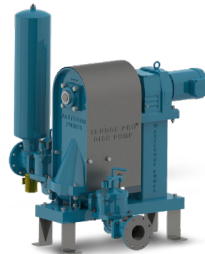


Patent Pending

LOWER RPM SPEEDS = LESS WEAR.
JUST PART OF THE SLUDGE PRO DIFFERENCE.

Sludge Pro® disc pumps operate at lower RPM speeds than comparable double disc type pumps. This allows for enhanced component life and less maintenance down the road. Sludge Pro's are designed for a wide range of slurry and sludge process applications for the municipal, industrial, chemical and food processing industries. These durable leak-free pumps are self priming and can run dry without damage for uncompromising pumping reliability. Select from standard direct drive, belt driven, air, hydraulic and engine driven systems.

SLUDGE PRO® 4SDWP - DISC PUMPS



Advanced Disc Pump Technology

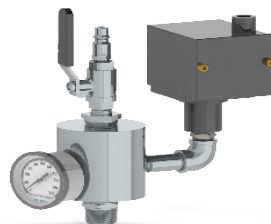
- Seal-less, glandless & leak free design
- OSHA compliant Guard
- Over six models to select from



Innovative Trunnion Options

Not all pumping applications are alike, that's why Wastecorp offers you the right elastomer for your application including:

- Santoprene®
- Teflon®
- Buna-N®
- Nordel®
- Viton®
- Neoprene

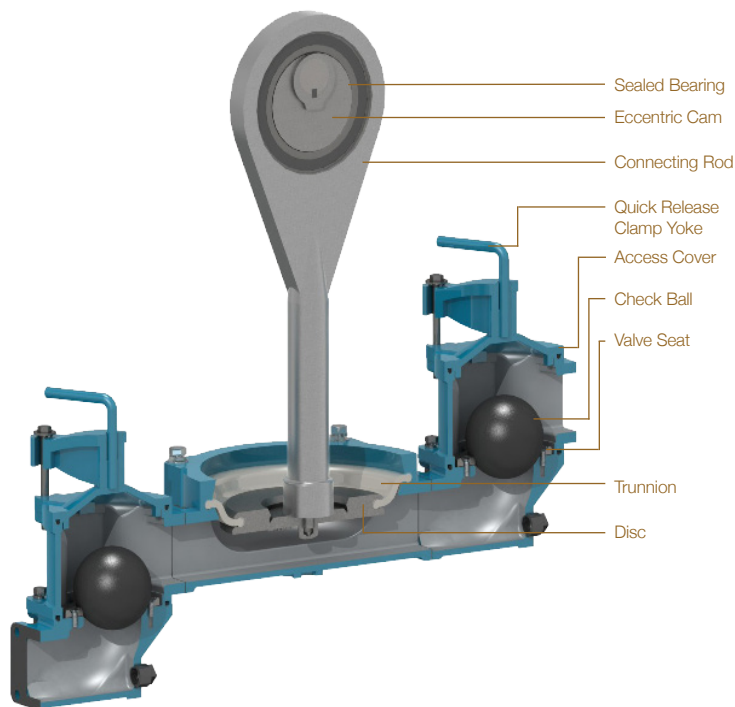


Pressure Sensor Assembly

Provides safe protection against dead heading, closed valves or other discharge blockages that can damage the pump. Also permits direct charging of pulsation dampener and access for cleaning.

rev May 9 2019

CUT AWAY



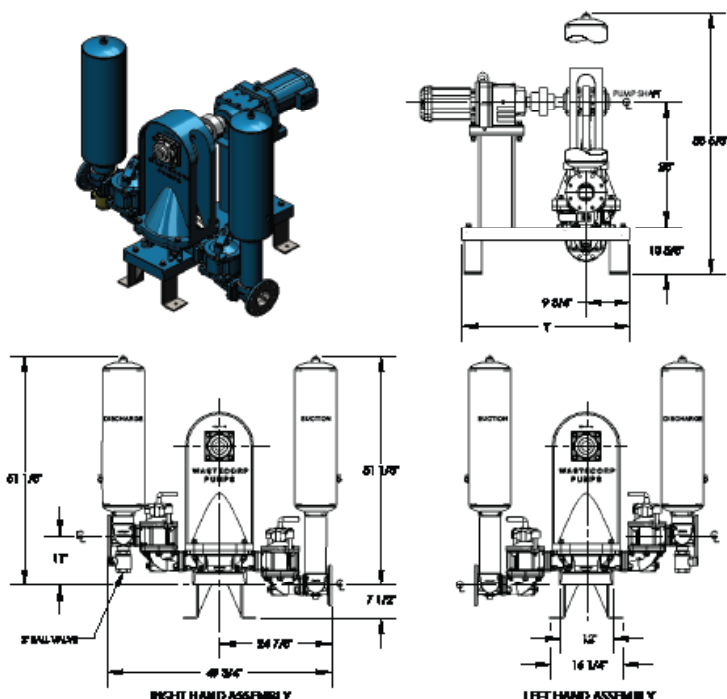
TECHNICAL SPECIFICATIONS

Model	Sludge Pro® 4SDWP
Connection Size	4" 150# Flanged
Typical Flow Range	0-127 GPM
Solids Handling	Max 1¾"
Displacement	1.15 gal/rev
Max. Suction Lift	25'
Max. Discharge Head	184' (80 psi) (5.1 bar)
Max. Liquid Temp.	350°F (176°C)
Operating Speed	up to 110 RPM

MATERIALS OF CONSTRUCTION

	Standard	Optional
Trunnion	Neoprene (TPE) 0°F to 200°F	Santoprene -40°F to +225°F Buna-N® +10°F to +180°F Viton® -40°F to +350°F Teflon® (PTFE) +40°F to +220°F Nordel® -60°F to +280°F
Discs	Ductile Iron, ASTM A 536, Grade 65-45-12	
Ball Valve	Urethane	Teflon®
Sectionalized Construction	Cast Iron ASTM A48 Class 30	See Coating Options Below
Pedestal	Ductile iron ASTM A 536, Grade 65-45-12	
Eccentric Cam	Ductile iron ASTM A 536, Grade 65-45-12	
Drive Shaft	400 Series SS	
Connecting Rod	Ductile iron ASTM A 536, Grade 65-45-12	
Base Frame	Heavy Duty Fabricated Steel	304SS, Galvanized Steel, 316 SS

APPROXIMATE PUMP DIMENSIONS



DRIVE SYSTEM OPTIONS

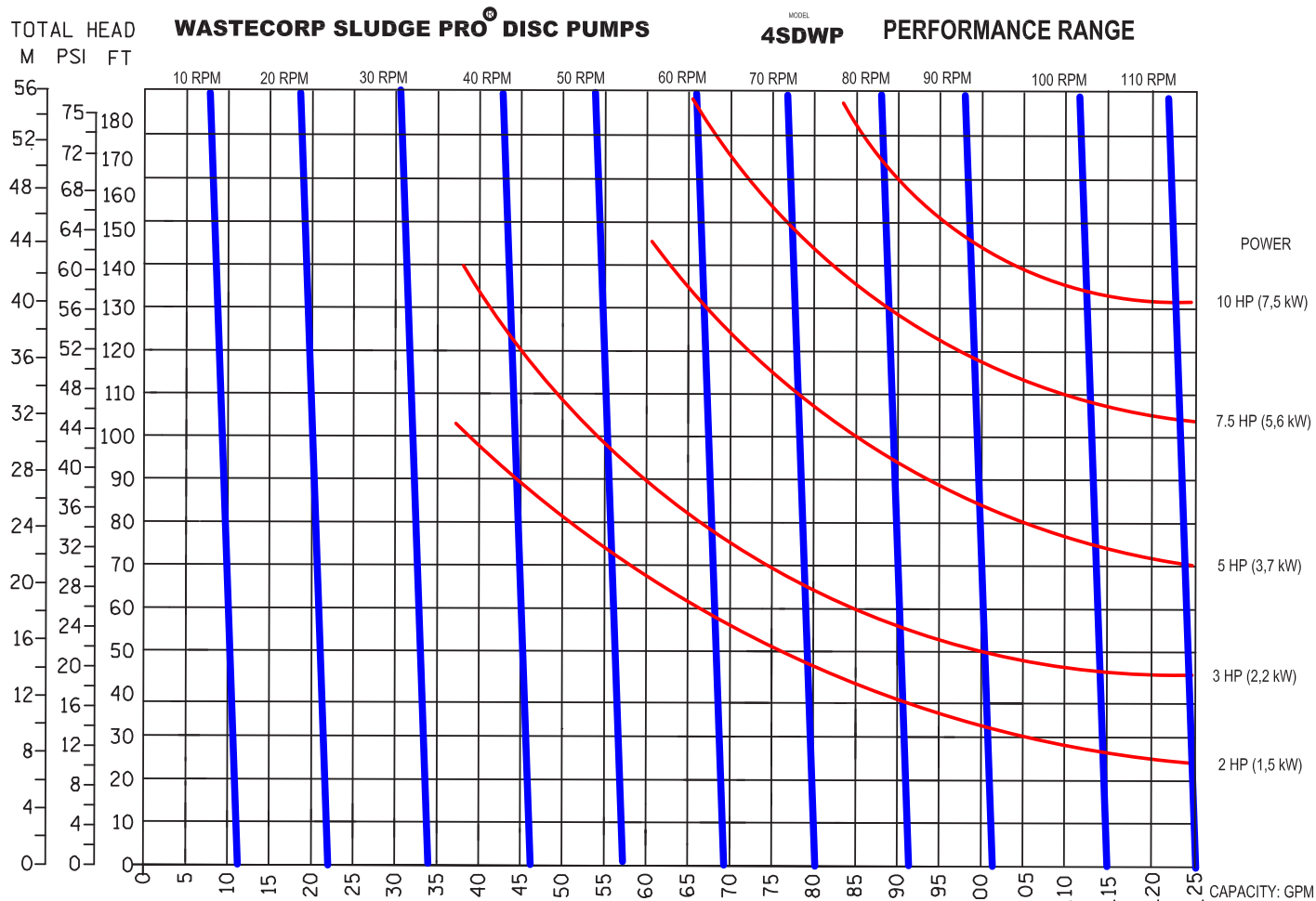
Direct Drive	Electric Motor
Optional	Air, hydraulic, belt driven
Engine Driven	Gas or diesel

Note: Consult factory for applications exceeding maximum pressure and/or temperature indicated.

WETTED CASTING COATING OPTIONS

Xylan, ETFE / PTFE, Dura-S, Nitrile, Neoprene, Nordel, Viton, Hypalon

PUMP CURVE



SUCTION LIFTS

Dry Prime Static Suction Lift: 25' (7.62m)

Wet Prime: 25" Hg 28.4' (8.6m)

CURVE NO.: 63910-00 MODEL: 4SDWP

SIZE: 4" x 4" RPM: VARIOUS

SP. GR.: 1.0 @ 68°F

Displacement Per Stroke : 1.15 Gal/Revolution

Sludge Pro® and Wastecorp® are registered trademarks of Wastecorp (WPCI).
Specifications and illustrations are subject to revision without notice. Wastecorp is not liable for any incompleteness or inaccuracies.
Wastecorp is not liable for any consequential, incidental or indirect damages relating to these specifications or their use.

Curve based on water (specific gravity = 1.0), with 10 foot static lift.
The performance curve shown were taken from actual tests of standard production pumps, and reflect
an average performance of the pump indicated.

REV. DS 4/2015