

Mud Sucker®
Diaphragm Pumps

6FAC-DD™ Series

Solids Handling

ENGINE DRIVEN

Double Diaphragm Pumps

6FAC-EC-DD™ - 6"

FEATURES

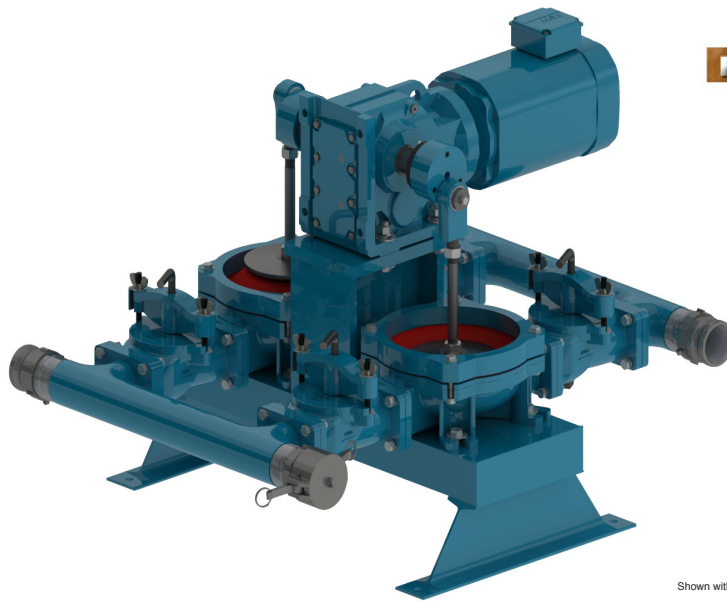
6" connection

Solids handling up to 2½"

Exclusive Wastecorp design

Few moving parts for low cost of ownership

Specialty drive systems available (air driven, hydraulic)

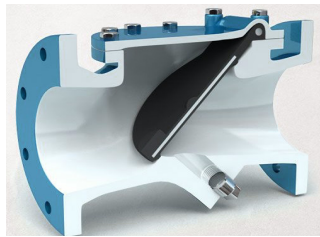


Shown with optional pulsation dampening air chamber.

MEET THE DOUBLE DIAPHRAGM PUMP THAT RAISES THE BAR ABOVE ALL OTHERS.

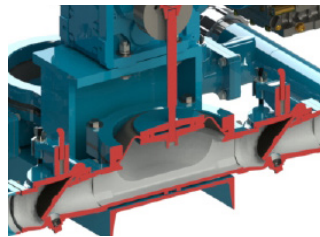
Take one look at the new FAC-M-DD Series from Wastecorp Mud Sucker and you can see instantly that this is like no other double diaphragm pump available. This severe duty pump with fluid transfer capabilities up to 325 GPM transfers both municipal sewage and industrial solids. Miners, drillers, food processors, municipal sewage treatment plants and septic fleets use the FAC-M-DD for long lasting, dependable pumping. With a hulking cast iron design and few moving components it is among the most simple and low cost of ownership pumps on the market.

Professional Double Diaphragm Pumps for Solids Handling Applications



Next Generation Flapper Design

Heavy duty EPDM flappers are designed to pump the tough stuff. Gain access to the suction and discharge in seconds



HIGH PERFORMANCE VELOCITY CHANNEL

Get a pump that recognizes your fluid. The Mud Sucker velocity channel adapts to over 150 slurry and solids combinations for high performance pumping



BUILD YOURS

With the FAC-M-DD you have the choice of auto-start gas or diesel engines. See page two for configuration options available to you

WHAT THIS MEANS TO YOU.

With the twist of a handle you can service the suction and discharge areas within seconds and get back to pumping

A pump that conforms to your application instead of the other way around. No more wasted time and money on trying different kinds of pumps

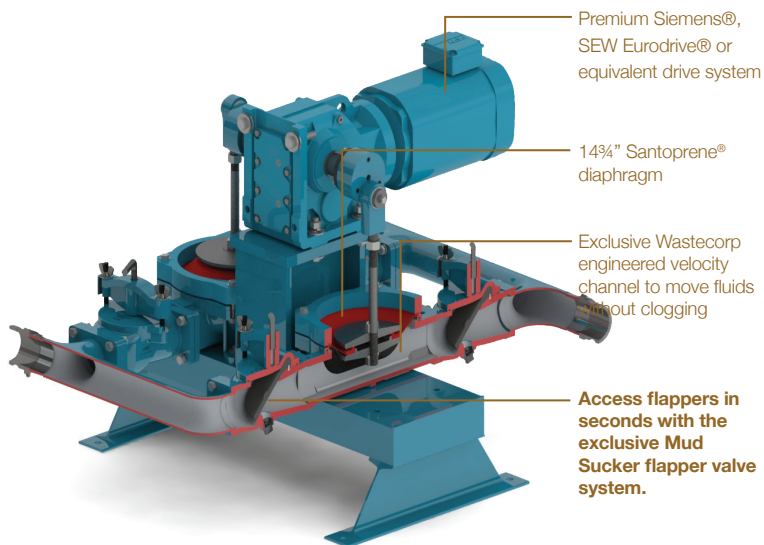
Improved productivity and lower operating costs because the pump is designed specifically for your environment

PROFESSIONAL

MUD SUCKER® DIAPHRAGM PUMPS THE PUMP WITH ATTITUDE.

wastecorp.com

CUT AWAY



TECHNICAL SPECIFICATIONS

Performance Range

Max. capacity	325 GPM
Max. suction lift	25'
Max. discharge head	50'
Max. spherical solids handling	2 1/2"

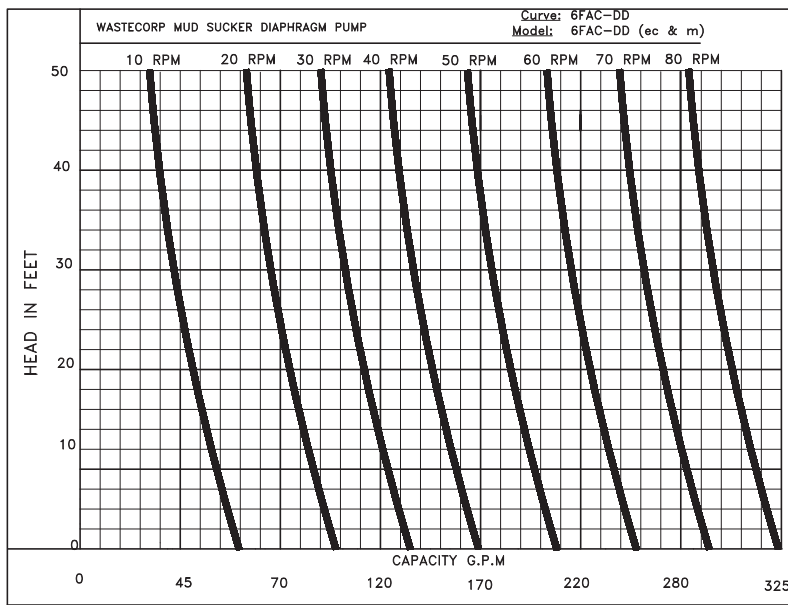
Pump and Motor Specifications

Suction inlet/outlet size	6"
Max. liquid temperature	140° F (60° C) continuous
Pump body casing	Cast iron
Diaphragm	14 3/4" dia. thermoplastic elastomer (Santoprene)
Flapper valves	EPDM flappers
Clamping plates	Cast iron
Crank assembly	Steel
Bearing	Hanger
Valve cover	Cast iron
Pump rod	Steel
Gearbox	SEW Eurodrive

Motor specification (specify at time of order)

- 11HP; Honda GX Gas Engine electric start.
- 9HP; Kohler KD or Hatz 1B Diesel Engine - Optional 40 Gallon auxiliary fuel tank

PERFORMANC CURVE



CONFIGURATION OPTIONS



FAC-EC-DD™ Remediation Series
Custom remediation collection systems for oil spill clean up, back up sewage systems and chemical spills. Tanks sizes available up to 2035 gallons.



FAC-EC-DD™ Trailer Mounted
Select from DOT compliant or utility trailers to take your Mud Sucker anywhere. DOT models include electric brakes, 3,500LBS torflex axle and LED lights.

Mud Sucker® Diaphragm Pumps

Toll-Free
1.888.829.2783

E-mail
info@wastecorp.com



OEM Manufacturer

The pump depictions are not meant to be used or relied upon as a substitute for the safety and use information that is published in the respective operator's manual. Before operating your diaphragm pump, read, understand and follow all instructions in the manual and on the pump. Specifications and programs are subject to change without notice. Images may not reflect dealer inventory and/or unit specifications. Wastecorp, Mud Sucker and globes are trademarks of Wastecorp. No reproduction of this document without permission. © Wastecorp.