

TRASH FLOW®
ENGINE DRIVEN TRASH PUMPS
TFCC-4M™

FEATURES

TRANSFER UP TO
740 GPM

MAX. HEAD 115 FT. (35M)

HEAVY DUTY BEARINGS
AND CASTINGS

EASILY REMOVABLE
ROTATING ASSEMBLY

VACUUM PRIME ASSIST
AVAILABLE*

“SILENT” PUMPING
MODEL AVAILABLE*

QUICK SELF PRIMING
CAPABILITIES

DOUBLE FLOATING
MECHANICAL SEAL

DUAL LIP SEAL BEARING
PROTECTION

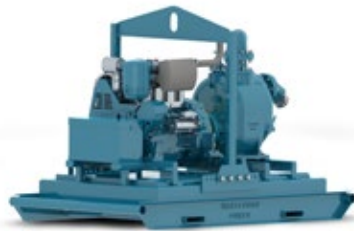
*optional



PUMP UTILITY MEETS PUMP VERSATILITY.

The new Trash Flow TFCC-4M engine driven trash pump series from Wastecorp conquers all kinds of municipal or industrial wastewater pumping applications. Plus, you now have our new optional “vacuum prime assist” will help you conquer tough pumping conditions as they arise.

TRASH FLOW® TFCC-4M - OPTIONAL CONFIGURATIONS



With or Without Wheels The TFCC-4M Moves Wastewater

The TFCC-4M is available as a skid mounted model complete with a heavy duty lifting bail to move around your job site. With a wide variety of diesel engine and control panel options available, you’ll get exactly what you need for your job.



**Pumping in Residential Areas?
The Trash Flow Can Quiet Down**

One of the challenges when using a trash pump in residential areas is adhering to local noise regulations. Wastecorp’s solution is the Trash Flow Husher with an acoustical hut to keep sound below 70 dBA.



**Intermittent Flow a Problem? “Vacuum Prime Assist” is
The Solution**

Vacuum prime assist is ideal when pumping fluid with large volumes of air or pulling through long suction lines. It is also environmentally friendly as there is no carryover of liquid into the environment because of the unique float box design.

TRASH FLOW®

ENGINE DRIVEN TRASH PUMPS

TFCC-4M™



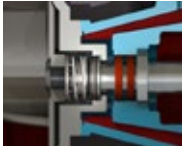
WASTECORP
Pumps®

FEATURES



REMOVABLE ROTATING ASSEMBLY

Experience less downtime and maintenance hassles with the Trash Flow's removable rotating assembly. The pump volute and piping are not disturbed during maintenance.



DOUBLE FLOATING MECHANICAL SEAL

Wastecorp's mechanical seals are designed for the harsh pumping conditions in today's municipal and industrial solids handling jobs.



SOLIDS HANDLING IMPELLERS

Trash Flow pumps feature our standard premium two-vane solids handling impellers with solids handling capabilities up to 3" (75mm).



OPTIONAL SUCTION AND DISCHARGE GAUGES

Monitor operating pressure easily with Wastecorp's optional suction and discharge gauges.

OPTIONAL CONFIGURATIONS



SEWAGE LIFT STATIONS

Let our pump designers engineer the ultimate lift station for your facility. We offer complete packaged solutions including control panels, valves and more.



TRAILER OR SKID MOUNT ENGINE

With our trailer or skid mounted diesel engine trash pumps, you'll get a DOT approved solutions for mobile wastewater transfer

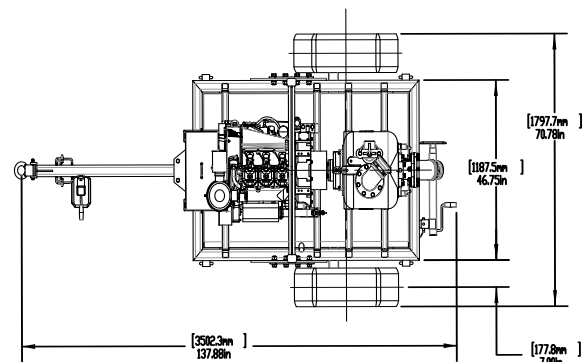
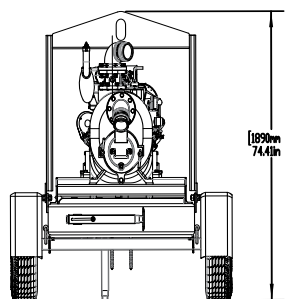
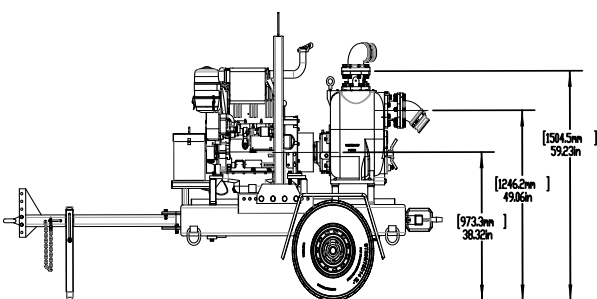
Model	Trash Flow® TFCC-4M
Connection Size	4" x 4" [101 mm x 101 mm] ANSI/DIN
Max. GPM	740 GPM
Max. Suction Lift	25 ft (7.52m)
Max. Discharge Head	115 ft
Max. Liquid Temp.	160°F (71°C)
Pump Casing	Grey Iron, ASTM A48; Class 30
Operating Pressure	Maximum 120 psi (797 kPa)
Impeller	Max. 8.75" OD, Ductile Iron ASTM A536, Grade 60-40-18 (Impeller Trimming: If required) Semi-Open Type, Two-Vane Impeller, (two plane, computer dynamically balanced)
Max. Solids Handling	2.5" (63.5mm)
Impeller Shaft	ANSI 4140 steel
Replaceable Wear Plate	SAE 1020 steel
Removable Cover Plate	Grey Iron, ASTM A48; Class 30
Flapper Valve	Neoprene with internal steel weight
Bearing Housing	Grey Iron, ASTM A48; Class 30 (includes oil sight glass and breather valve)
Seal Plate	Grey Iron, ASTM A48; Class 30
Shaft Sleeve	316 Stainless Steel
Radial/Thrust Bearing	NSK Open Ball
Bearing/Seal Cavity Lubrication	SAE No. 30 Non-Detergent Oil
Gaskets	Buna-N, Compressed Synthetic Fibers, PTFE, Vegetable Fiber, Cork and Rubber
Hardware	Standard Plated Steel, Brass Pressure Relief Valve, Bearing and Seal Cavity Oil Level Sight Gauges
Mechanical Seal	Double floating cartridge type, titanium tungsten-carbide rotating and stationary faces, 316SS casing and spring, Viton O-Rings.

Engine and Trailer Information

Trailer	Single Axle DOT compliant with e-brakes, fenders, lighting, swivel jack, ball hitch or pintle eye coupler
Coupling	SAE Rubber Disk Drive fly-wheel coupling
Engine & Control Panel	50 HP Deutz T 3.6 Tier 4 Final
Fuel Tank	DOT Compliant 100 USG (378 L) complete with fuel lines and mounting brackets

Note: Consult factory for applications exceeding maximum pressure and/or temperature indicated.

APPROXIMATE PUMP DIMENSIONS



Dimensions and weight are approximate. Wastecorp Pumps reserves the right to make changes in design, materials and operating ranges without notice.

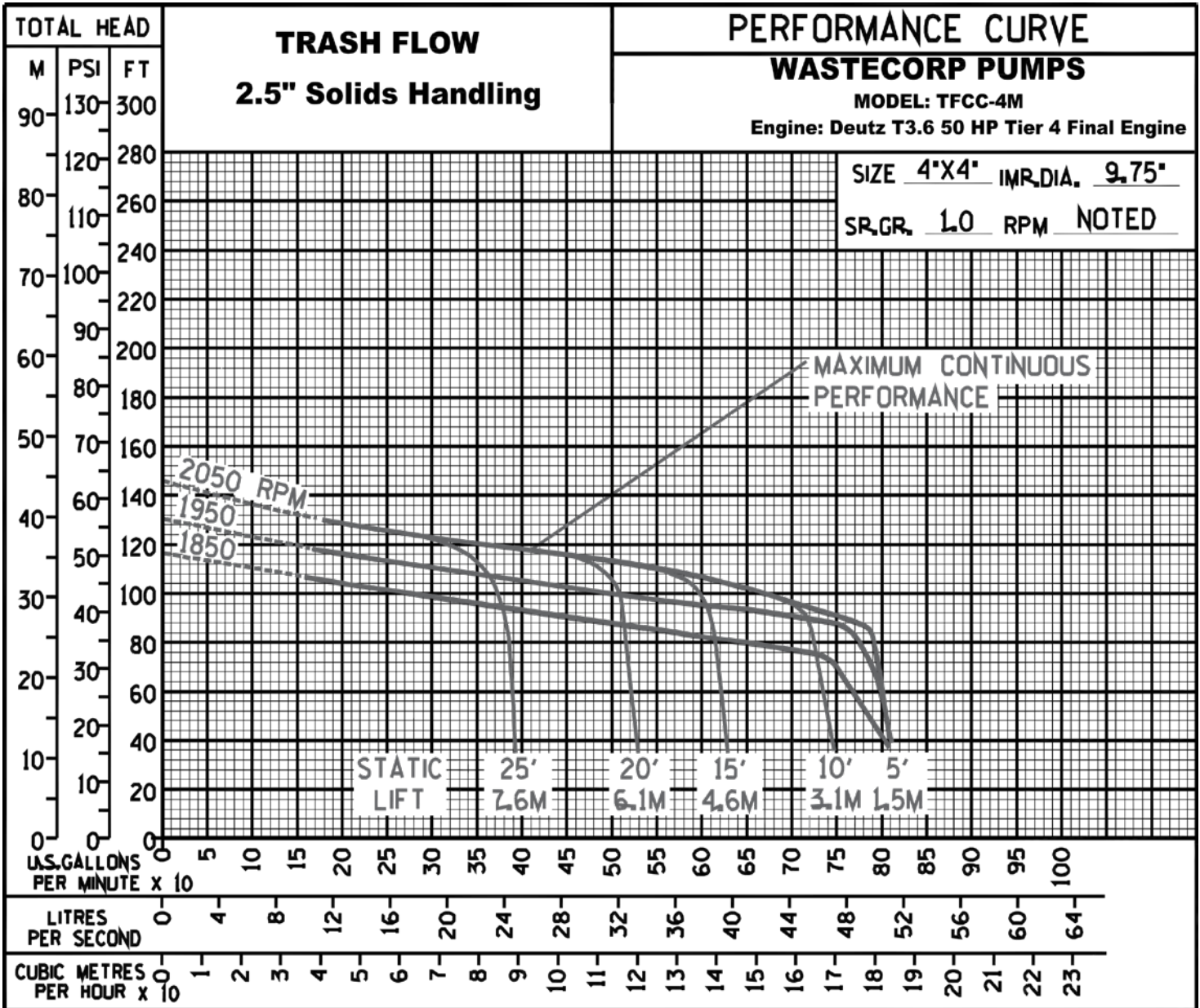
TRASH FLOW®

ENGINE DRIVEN TRASH PUMPS

TFCC-4M™



WASTECORP
Pumps®



WASTECORP.COM

Wastecorp Pumps USA
P.O. Box 70
Grand Island, New York 14072 | USA
Tel: 888.829.2783 | Fax: 888.883.3320
sales@wastecorp.com

Wastecorp Pumps Canada Inc.
50 Shorncliffe Road
Toronto, Ontario M8Z-2X3 | Canada
Tel: 416.233.3000 | Fax: 416.233.2300
info@wastecorp.com

Wastecorp Pumps International
P.O. Box 70
Grand Island, New York 14072 | USA
Tel: 201.445.2882 | Fax: 201.445.3252
techsupport@wastecorp.com