

**TRASH FLOW®**  
**TFCCH-3™**  
H Series - High Head



**TFCCH™ SERIES. HIGH HEAD.**  
**PROVEN PERFORMANCE.**

**FEATURES**

MAX. HEAD: 200 FT.

MAX. FLOW: 350 GPM

HEAVY DUTY BEARINGS  
AND CASTINGS

EASILY REMOVABLE  
ROTATING ASSEMBLY

QUICK SELF PRIMING  
CAPABILITIES

DOUBLE FLOATING  
MECHANICAL SEAL

DUAL LIP SEAL BEARING  
PROTECTION

\*optional

**TRASH FLOW® SELF PRIMING CENTRIFUGAL PUMPS- TFCCH-3 SPECIFICATIONS**

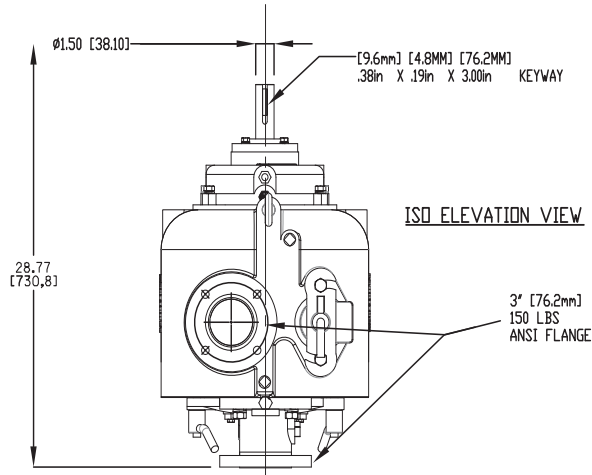
Model	Trash Flow® TFCCH-3
Connection Size	3" x 3" [76 mm x 76 mm] ANSI/DIN
Max Head	200 ft. (60 m)
Max Flow	350 GPM (79 m <sup>3</sup> /h)
Bare Pump Weight	490 lbs (222 kg)
Max. Casing Pressure	128 psi (883 kPa)
Pump Casing	Grey Iron, ASTM A48; Class 30
Impeller	Six vane, Semi-open
Max. Solids Handling	1-1/8"
Impeller Shaft	ANSI 4140 steel
Replaceable Wear Plate	SAE 1020 steel
Removable Cover Plate	Grey Iron, ASTM A48; Class 30
Flapper Valve	Neoprene with internal steel weight
Bearing Housing	Grey Iron, ASTM A48; Class 30 (includes oil sight glass and breather valve)
Seal Plate	Grey Iron, ASTM A48; Class 30
Shaft Sleeve	316 Stainless Steel
Radial/Thrust Bearing	NSK Open Ball
Bearing/Seal Cavity Lubrication	SAE No. 30 Non-Detergent Oil
Gaskets	Buna-N, Compressed Synthetic Fibers, PTFE, Vegetable Fiber, Cork and Rubber
Hardware	Standard Plated Steel, Brass Pressure Relief Valve, Bearing and Seal Cavity Oil Level Sight Gauges
Mechanical Seal	Double floating cartridge type, titanium tungsten-carbide rotating and stationary faces, 316SS casing and spring, Viton O-Rings.
Optional Equipment	Lift station Pressure relief valve Acoustical enclosure Temperature shutdown Specialty seals (call factory) Air release valve Trailer mounted kit Wastecorp hard iron impeller

Note: For information purposes only not to be used for construction. Subject to change without notice. Consult factory for applications exceeding maximum pressure and/or temperature indicated.

• [info@wastecorp.com](mailto:info@wastecorp.com)  
• 1-888-829-2783

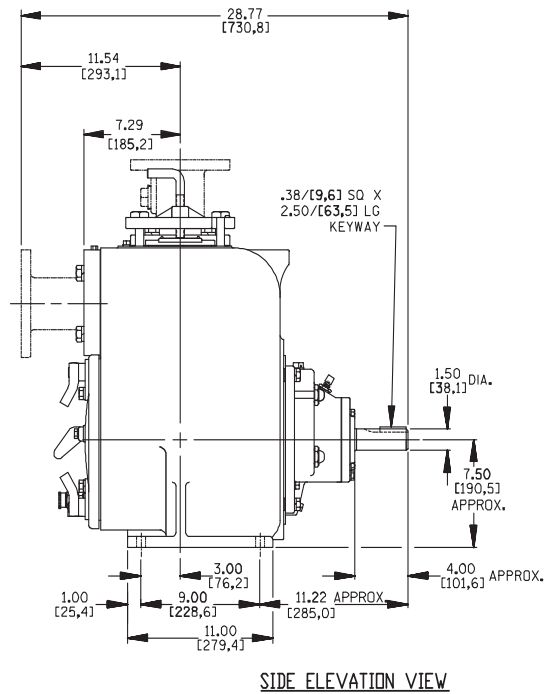
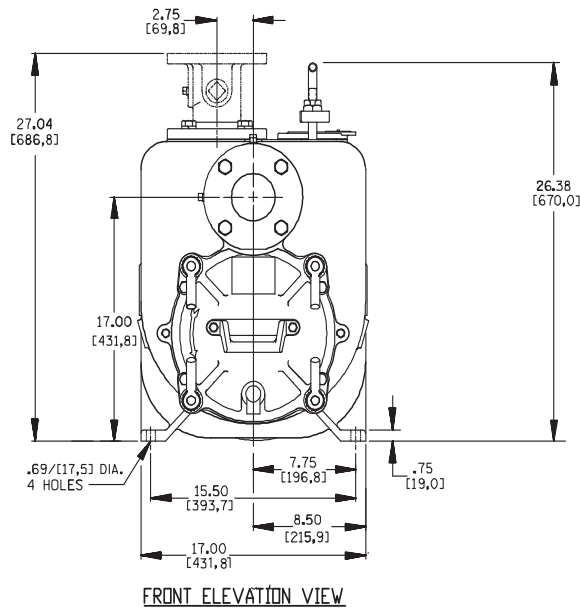
**WASTECORP.COM**

**PUMP DIMENSIONS**



- NOTES:
1. CUSTOMER RESPONSIBLE FOR ALL INSTALLATION WORK, PROVIDE CONCRETE FOUNDATION AND ANCHOR BOLTS.
  2. NOT FOR CONSTRUCTION PURPOSE UNLESS CERTIFIED.
  3. PIPING TO PUMP MUST BE COMPLETELY SELF-SUPPORTING TO PREVENT STRAIN ON PUMP CASTINGS.

DIMENSIONS:  
INCHES  
[MILLIMETERS]



ALL INFORMATION CONTAINED IN THIS DOCUMENT IS BOTH CONFIDENTIAL AND PROPRIETARY TO WASTECORP. NO LICENSE, EXPRESSED OR IMPLIED, UNDER ANY PATENT, COPYRIGHT, OR TRADE SECRET IS GRANTED OR IMPLIED BY THE CONVEYANCE OF THIS DOCUMENT. NO PART OF THIS DOCUMENT MAY BE REPRODUCED, TRANSMITTED, TRANSCRIBED, STORED IN A RETRIEVAL SYSTEM, TRANSLATED TO ANY LANGUAGE OR COMPUTER LANGUAGE, IN ANY FORM BY ANY MEANS ELECTRONIC, MECHANICAL, OR OTHERWISE WITHOUT WASTECORP CONCENT.

TITLE

TFCCH-3  
BARE PUMP

DRAWN	PP	CHKD	HJ
PR. ENG	DD	APPD	MD
SCALE	1:1		
DATE	JUNE/23/2015		

DRAWING NUMBER

64644

SHEET 1 OF 1

**TFCCH-3 Self Priming Centrifugal Pump Performance Curve**

