

**TRASH FLOW®**  
**TFCCH-6™**  
H Series - High Head



**FEATURES**

MAX. HEAD: 190 FT.

MAX. FLOW: 1350 GPM

HEAVY DUTY BEARINGS  
AND CASTINGS

EASILY REMOVABLE  
ROTATING ASSEMBLY

QUICK SELF PRIMING  
CAPABILITIES

DOUBLE FLOATING  
MECHANICAL SEAL

DUAL LIP SEAL BEARING  
PROTECTION

\*optional

**ROBUST PUMPING POWER. HIGHER HEAD.**  
**TRASH FLOW TFCCH-6.™**

**TRASH FLOW® SELF PRIMING CENTRIFUGAL PUMPS- TFCCH-6 SPECIFICATIONS**

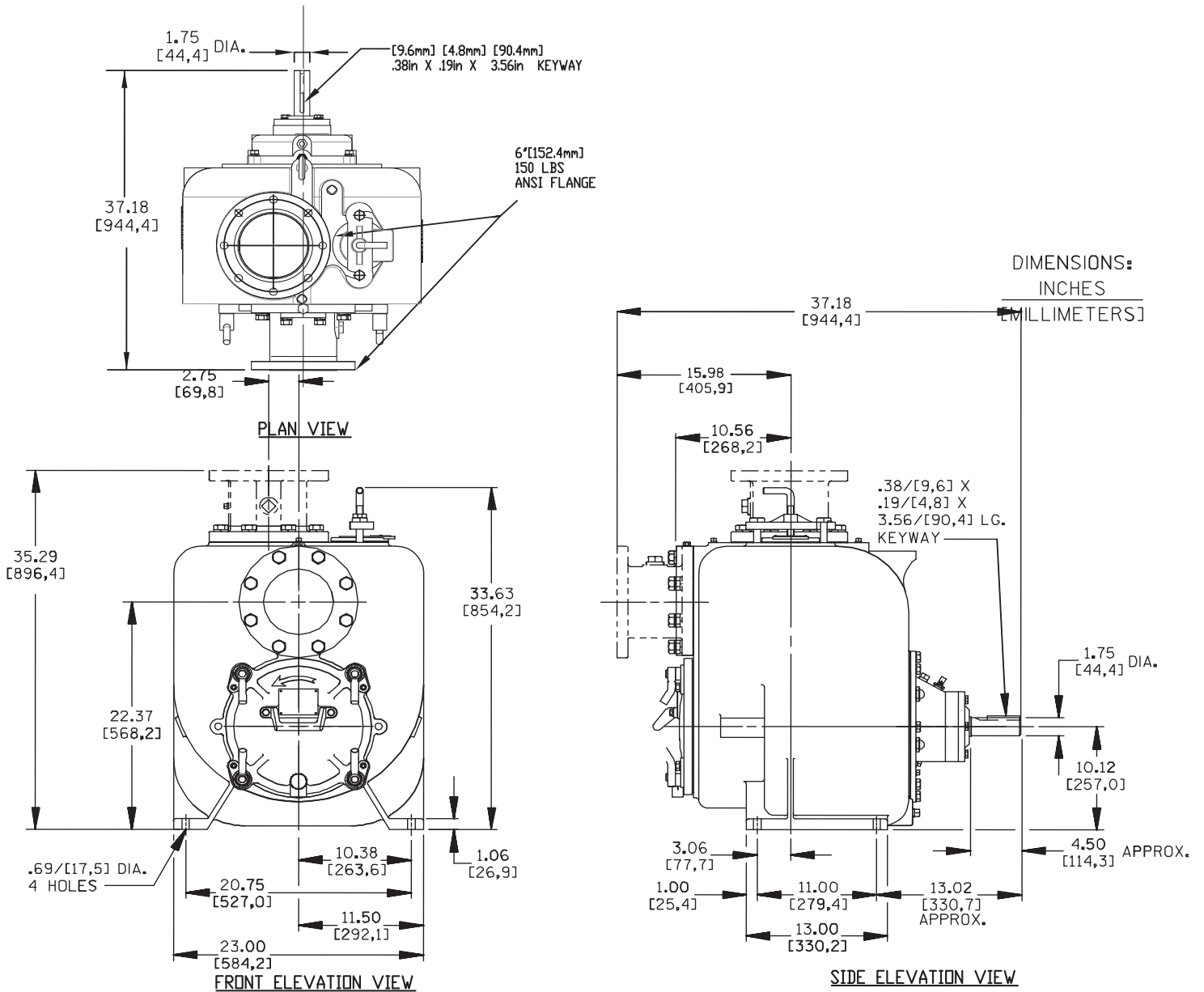
Model	Trash Flow® TFCCH-6
Connection Size	6" x 6" [152 mm x 152 mm] ANSI/DIN
Max Head	190 ft (57 m)
Max Flow	1350 GPM (306 m <sup>3</sup> /h)
Bare Pump Weight	920 lbs (417 kg)
Max. Casing Pressure	123 psi (848 kPa)
Pump Casing	Grey Iron, ASTM A48; Class 30
Impeller	Five vane, Semi-open
Max. Solids Handling	1 1/4"
Impeller Shaft	ANSI 4140 steel
Replaceable Wear Plate	SAE 1020 steel
Removable Cover Plate	Grey Iron, ASTM A48; Class 30
Flapper Valve	Neoprene with internal steel weight
Bearing Housing	Grey Iron, ASTM A48; Class 30 (includes oil sight glass and breather valve)
Seal Plate	Grey Iron, ASTM A48; Class 30
Shaft Sleeve	316 Stainless Steel
Radial/Thrust Bearing	NSK Open Ball
Bearing/Seal Cavity Lubrication	SAE No. 30 Non-Detergent Oil
Gaskets	Buna-N, Compressed Synthetic Fibers, PTFE, Vegetable Fiber, Cork and Rubber
Hardware	Standard Plated Steel, Brass Pressure Relief Valve, Bearing and Seal Cavity Oil Level Sight Gauges
Mechanical Seal	Double floating cartridge type, titanium tungsten-carbide rotating and stationary faces, 316SS casing and spring, Viton O-Rings.
Optional Equipment	Lift station Pressure relief valve Acoustical enclosure High temperature shutdown Specialty seals (call factory) Air release valve Trailer mounted kit

• [info@wastecorp.com](mailto:info@wastecorp.com)  
• 1-888-829-2783

**WASTECORP.COM**

Note: For information purposes only not to be used for construction. Subject to change without notice. Consult factory for applications exceeding maximum pressure and/or temperature indicated.

**PUMP DIMENSIONS**



All information is approximate and is intended for general guidance only. Wastecorp Pumps reserves the right to make changes in design, materials and operating ranges without notice. Customer is responsible for all installation work including but not limited to providing a concrete pad and/or stable foundation as required (if applicable). Piping to pump must be completely self supporting to prevent strain on pump castings.

**TFCCH-6 Self Priming Centrifugal Pump Performance Curve**

